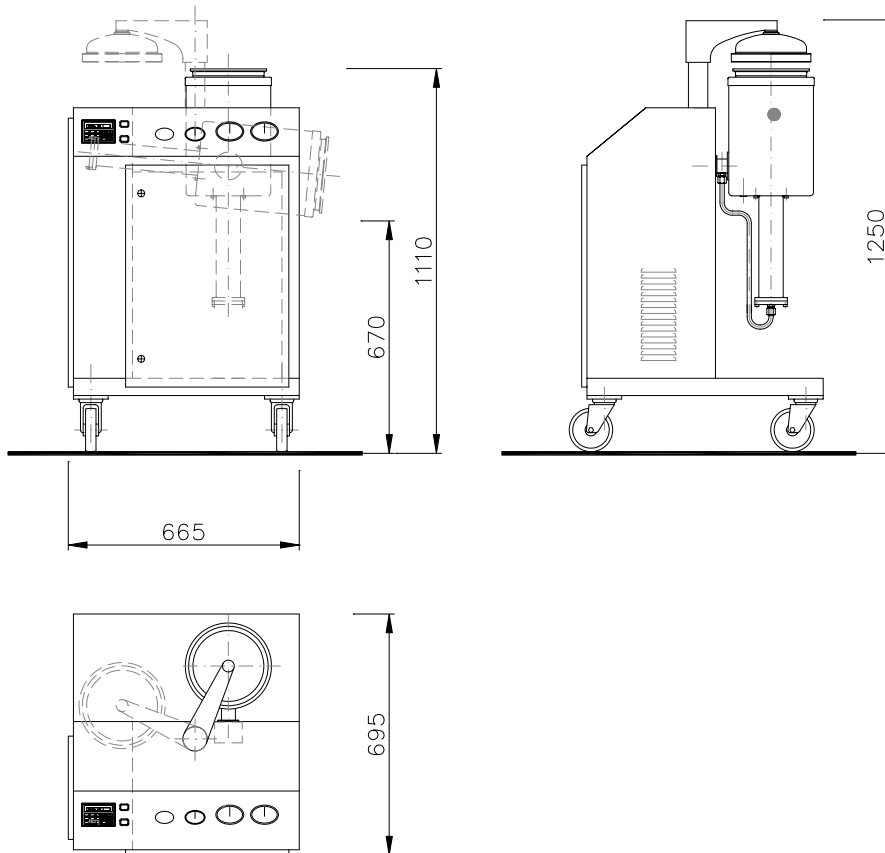


## TECHNICAL DATA

### TYPE: DIG-MAZ 10



Type:	DIG-MAZ 10	
<b>Extraction tank:</b>	10 liters	Herbs volume
<b>Make-up water:</b>	0	0
<b>Steam / Hot water:</b>	6 kW	max 120°C
<b>Compressed air:</b>	6 bar	10 m <sup>3</sup> / h
<b>Power supply:</b>	3x400 V / 50 Hz	
<b>Power consumption:</b>	6.5 kW	